

Specifications

Port Sizes	1/2", 3/4", 1"
Thread Styles	NPT, BSPT, BSPP
Flow Capacity	90/150 SCFM @ 100 PSI
Filter Capacity	1.0 micron & larger, Activated Carbon Oil Adsorption to 0.003 PPM Hydrocarbons < 3.0 PSID at rated flow
Differential Pressure	
Max. Temp./Pressure (Aluminum Bowl)	175 °F/200 PSIG
Max. Temp./Pressure (Polycarbonate Bowl)	125 °F/150 PSIG
Approx. Weight (lb.)	6.0
ISO Class	2 Particulate/Oil

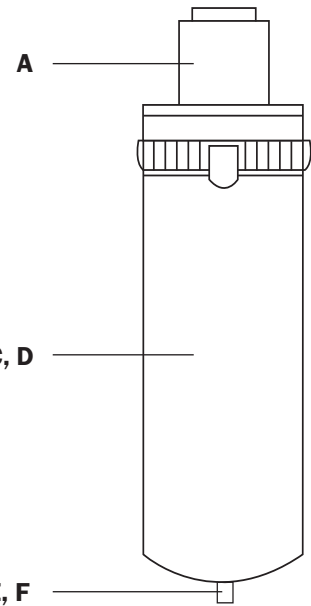
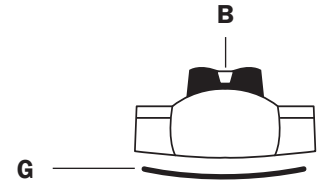
For higher pressure applications, consult factory. Units equipped with differential pressure indicator have max. temperature and pressure of 125 °F and 150 PSIG, regardless of bowl material.



Water
Dirt
Oil
Oil Vapor
Odor

Replacement Parts & Accessories

Description	Part Number
A Replacement Element	4P-090/4P-150
B Differential Pressure Indicator	N32-W1-DPi
B Blanking Cap (Cover for units without indicator)	N32-95-020
C Bowl Assembly: Metal Bowl, Manual Petcock Drain, O-ring	N34-15-180
C Bowl Assembly: Metal Bowl, Automatic Float Drain, O-ring	N34-15-178
D Bowl Assembly: Poly Bowl, Manual Petcock Drain, O-ring*	N32-15-167
D Bowl Assembly: Poly Bowl, Automatic Float Drain, O-ring*	N32-15-035
E Manual Petcock Drain (Metal Bowl)	PC-03
E Manual Petcock Drain (Poly Bowl)	N32-95-182
F Automatic Float Drain (Metal Bowl)	N32-95-979
F Automatic Float Drain (Poly Bowl)	N32-95-973
G Bowl O-ring	N32-95-256
Mounting Bracket (Optional)	N32-95-734



Order Guide

Drain Type	Port Size	Model Number				Dimensions (in.)	
		Metal Bowl		Poly Bowl		Height**	
		Low Flow	Med Flow	Low Flow	Med Flow	Metal	Poly
Manual	1/2"	4P-090-M04-P	4P-150-M04-P	4P-090-P04-P	4P-150-P04-P	17.0	14.0
	3/4"	4P-090-M06-P	4P-150-M06-P	4P-090-P06-P	4P-150-P06-P	Width	Depth
	1"	4P-090-M08-P	4P-150-M08-P	4P-090-P08-P	4P-150-P08-P	4.6	4.8
Automatic	1/2"	4P-090-M04-F	4P-150-M04-F	4P-090-P04-F	4P-150-P04-F	Height**	
	3/4"	4P-090-M06-F	4P-150-M06-F	4P-090-P06-F	4P-150-P06-F	Metal	Poly
	1"	4P-090-M08-F	4P-150-M08-F	4P-090-P08-F	4P-150-P08-F	17.0	14.5

*Poly bowls come with metal bowl guard

**To add an indicator, add "I" to end of model number (Indicator adds about 1" to height)